

Seafox 2

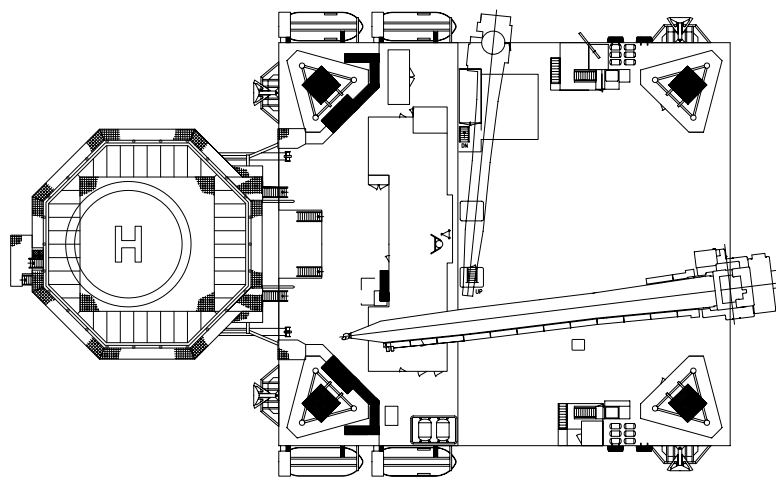
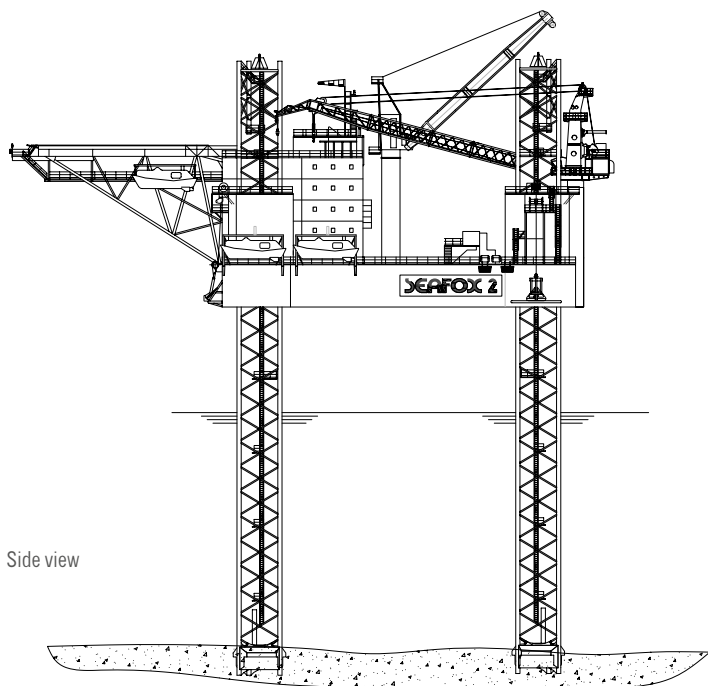


MAIN CRANE CAPACITY 100 t | ACCOMMODATION 234 POB | MAX WATER DEPTH 50 m | DECK SPACE 800 m²

Seafox 2 is a four-legged, self-elevating jack-up unit for accommodation, construction, maintenance, and well services. The unit is classed in accordance with DNV-GL requirements. She is specifically designed to withstand harsh offshore environments and conditions and capable of operating in water depths up to 50 meters all year round. The unit offers permanent accommodation for 234 Persons on Board (POB) and has an accepted UK Safety Case for accommodation, maintenance, and well-service activities in the Dutch, German and UK sectors. The range of leisure facilities and health and well-being amenities provide a good quality of life for those on board.

Seafox 2

Accommodation & Multi-support Unit



GENERAL

Name	Seafox 2
Flag / P.O.R.	Isle of man / Douglas
Design	MSC
Year built / Conversion date	1985 / 2006
Last Special Survey	2015
Class	DNV-GL ∇ 1A1 Self Elevating Unit
Callsign	2BAI3
IMO nr.	822903

DIMENSIONS

Length	50.0 m
Max length	86.3 m
Breadth	45.0 m
Depth	6.0 m
Loadline draft	3.66 m

DECK

Deck capacity	3.0 t/m ²
Deck space	±800 m ²

LEGS

Number of legs	4
Max Water Depth	50.0 m
Length of legs	92.5 m
Type of legs	Triangular open truss
Spud Can details	38 m ²

HELICOPTER DECK

Suitable	EC 225, S-92, S61-N including refueling
D-value (Meters)	22.2 m
Take off weight (Tonnes)	9.3 t
Compliant	Cap 437, BSL D 5-1, HCA

POWER GENERATION

Electricity Diesel/Electric	3x 525 kW, 415V, 50 Hz 1x 992 Kw, 415V, 50 Hz
Emergency Diesel Generator	1x 227 kW, 415 V, 50 Hz

Details in this specification are correct at the time of publishing. However they may differ from time to time due to project specific alterations. Upon request project specific arrangements and specifications can be provided.

JACKING SYSTEM

Type jacking system	MSC Hydraulic positive Engagement system
Capacity	2750 t/leg
Average speed	0.27 m per min

VARIABLE LOAD

Operational	1465 t
-------------	--------

LIFE SAVING EQUIPMENT

Lifeboats/Type	7x 50 person (98 KG)
Liferafts/Type	12x 25 person Davit launched

ENVIRONMENTAL SURVIVAL CRITERIA

Water depth (LAT) Summer	52.0 m
Water depth (LAT) Winter	49.3 m
Wave height	18.6 m
Airgap	19.7 m
Period	14 sec
Current	1.2 m/s
Wind speed	37.0 m/s
Soil penetration	3.0 m (typical)

MOORING SYSTEM

Mooring winches	4x single drum, 45 t
Anchors	4x 3.5 t
Anchor type	Delta Flipper

CRANES

Starboard Crane	N/A
Port Crane	Liebherr BOS Crane Max: 30 t @ 17 m radius Min: 12.6 t @ 27.5 m radius
FWD Crane	Liebherr MTC crane Max: 100 t @ 10 m radius Min: 25.4 t at 42.3 m radius

ACCOMMODATION

Capacity	234 POB excluding TLQs*
Facilities:	Recreation Rooms, Change/Locker room, Cinema, Conference room, Galley, Gym, Heli departure and arrival lounge, Helicopter administration, Sick Bay, Laundry, Mess room, Offices, Stores

* The maximum POB with TLQs is limited by lifesaving appliances present as standard on board. Additional life saving appliances will lead to an increase in the maximum allowable POB.